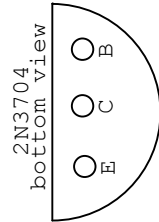
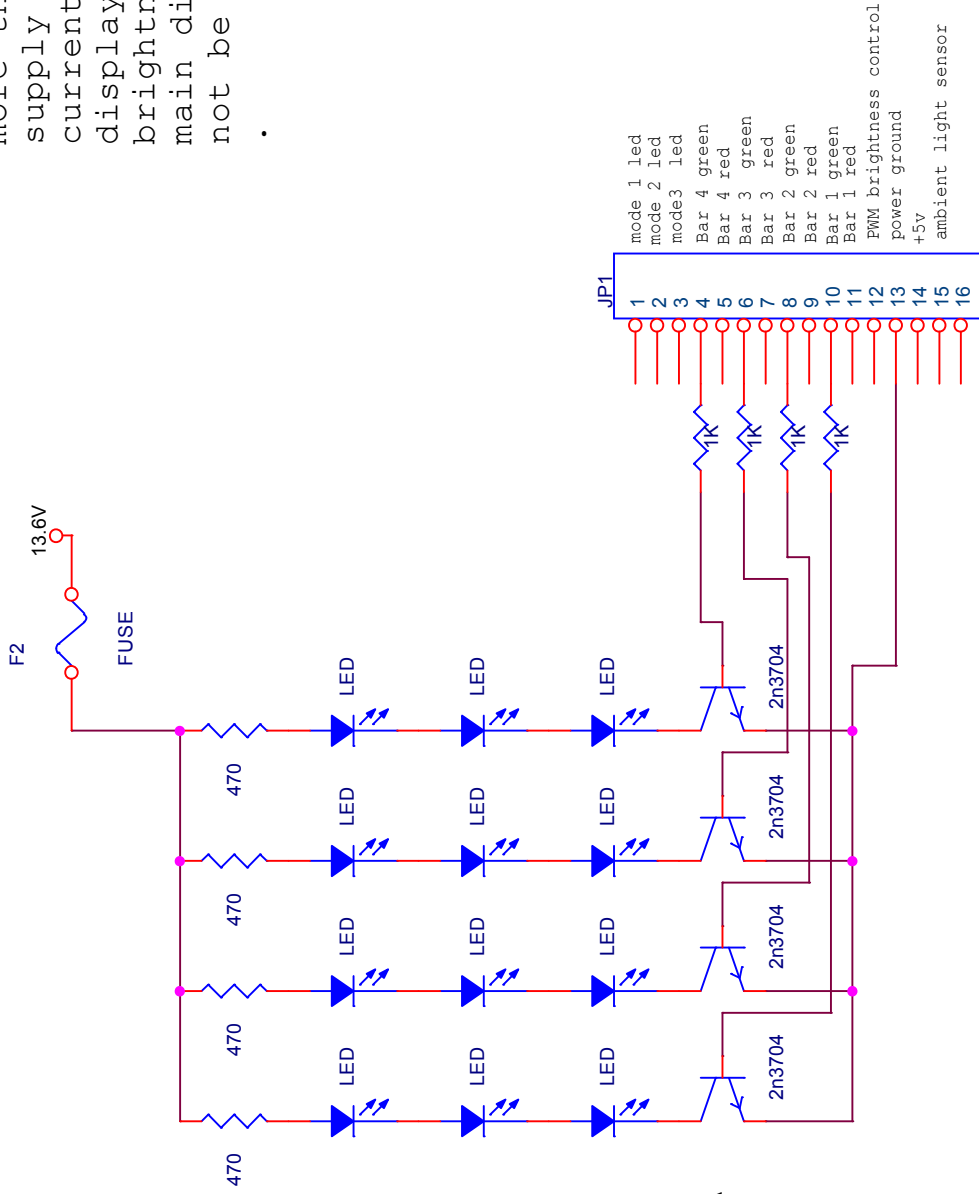


This circuit for a regen light allows use of more than one LED per circuit, uses the 12V supply so it will not increase the MIMA board current. The leds will lite when the main MIMA display regen leds light, and will change brightness on the last led like the main display will. The overall brightness will not be adjustable though, and will stay at full .



Title <Title> Rear regen light

Size A Document Number <Doc> Rev <Rev>

Date: Monday, November 06, 2006 Sheet 1 of 1