

6

5

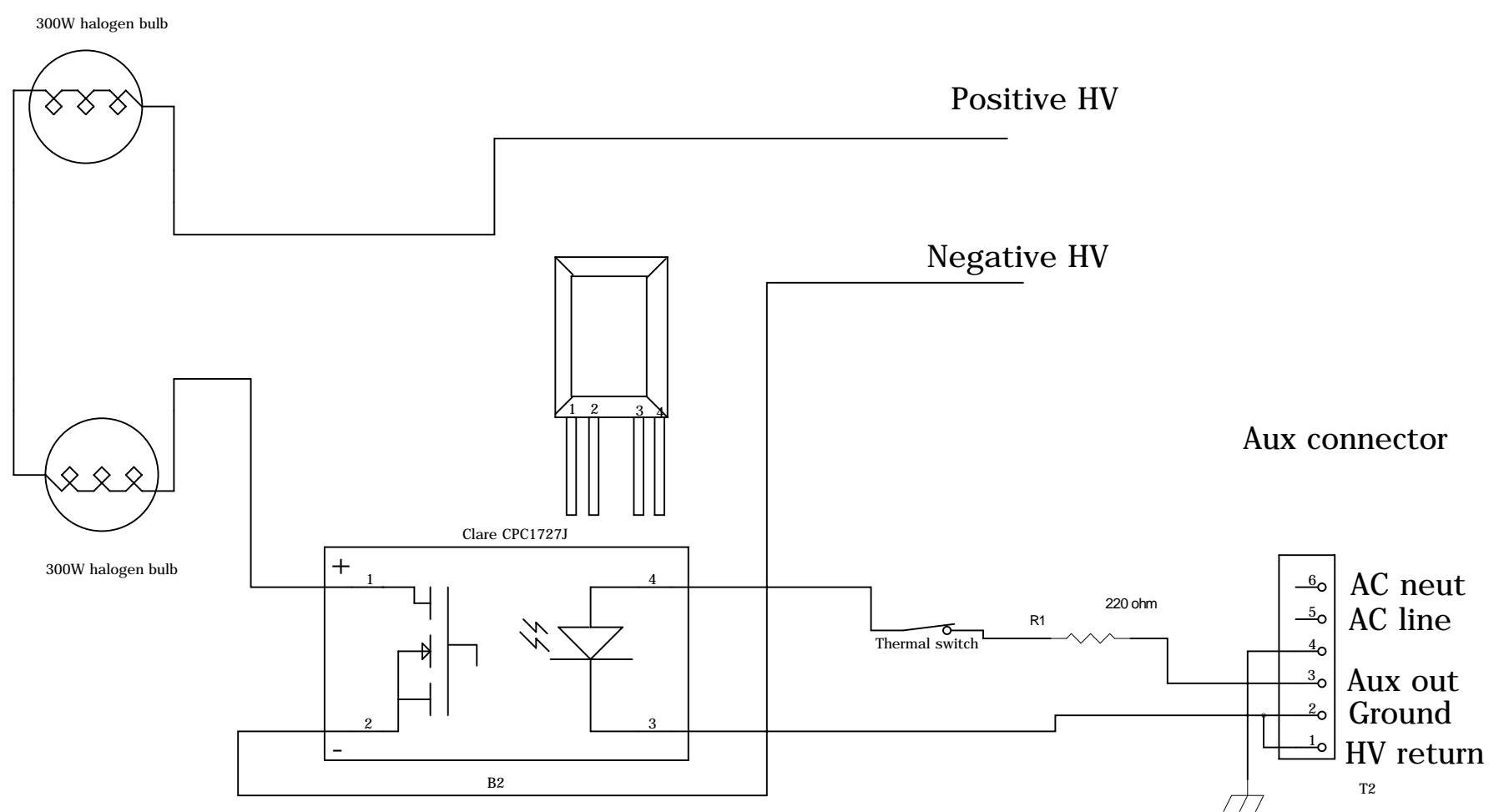
4

3

2

1

REVISION RECORD			
LTR	ECO NO:	APPROVED:	DATE:



COMPANY: **Genesis One**

TITLE: **Whole Pack Discharger Shoplite**

DRAWN: Mdd	DATED: <Drawn Date>
CHECKED: <Checked By>	DATED: <Checked Date>
QUALITY CONTROL: <QC By>	DATED: 1/23/2012
RELEASED: <Released By>	DATED: <Release Date>

CODE: <Code>	SIZE: B	DRAWING NO: draft	REV: 1
SCALE: <Scale>			SHEET: 1 of 1

D

C

B

A

D

C

B

A