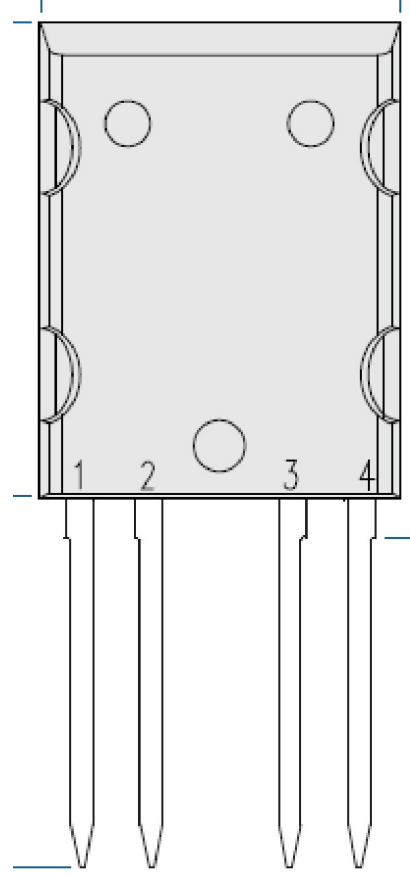
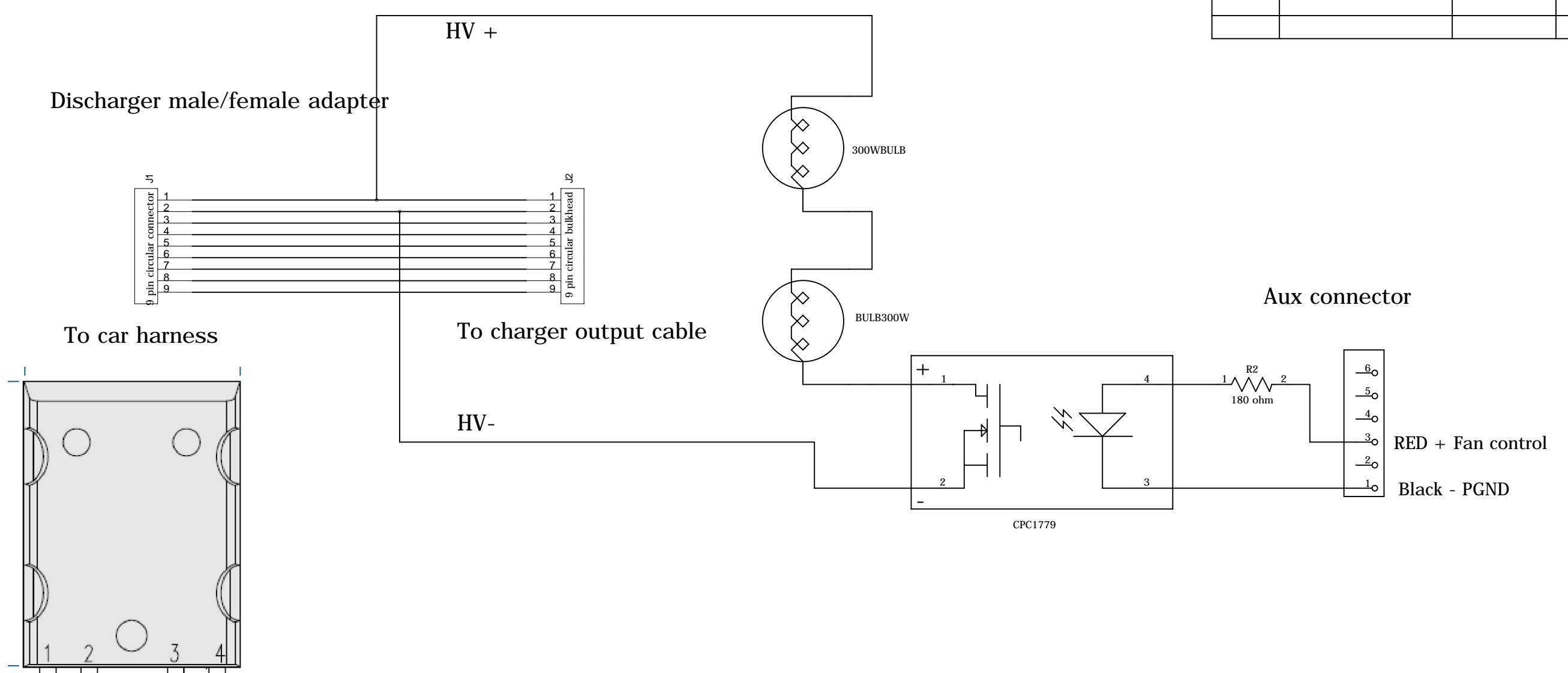


6 5 4 3 2 1

REVISION RECORD			
LTR	ECO NO:	APPROVED:	DATE:



CPC1727--250V CPC 1779-600V

COMPANY:				<Genesis One LLC>			
TITLE:				<Discharger Rev 2>			
DRAWN:	MDD	DATED:	3/18/2013	CODE:	SIZE:	DRAWING NO:	REV:
CHECKED:	<Checked By>	DATED:	<Checked Date>	<Code>	B	<1>	<2>
QUALITY CONTROL:	<QC By>	DATED:	<QC Date>	SCALE: <Scale>		SHEET: 1 of 1	
RELEASED:	<Released By>	DATED:	<Release Date>				

D
C
B
A

D
C
B
A